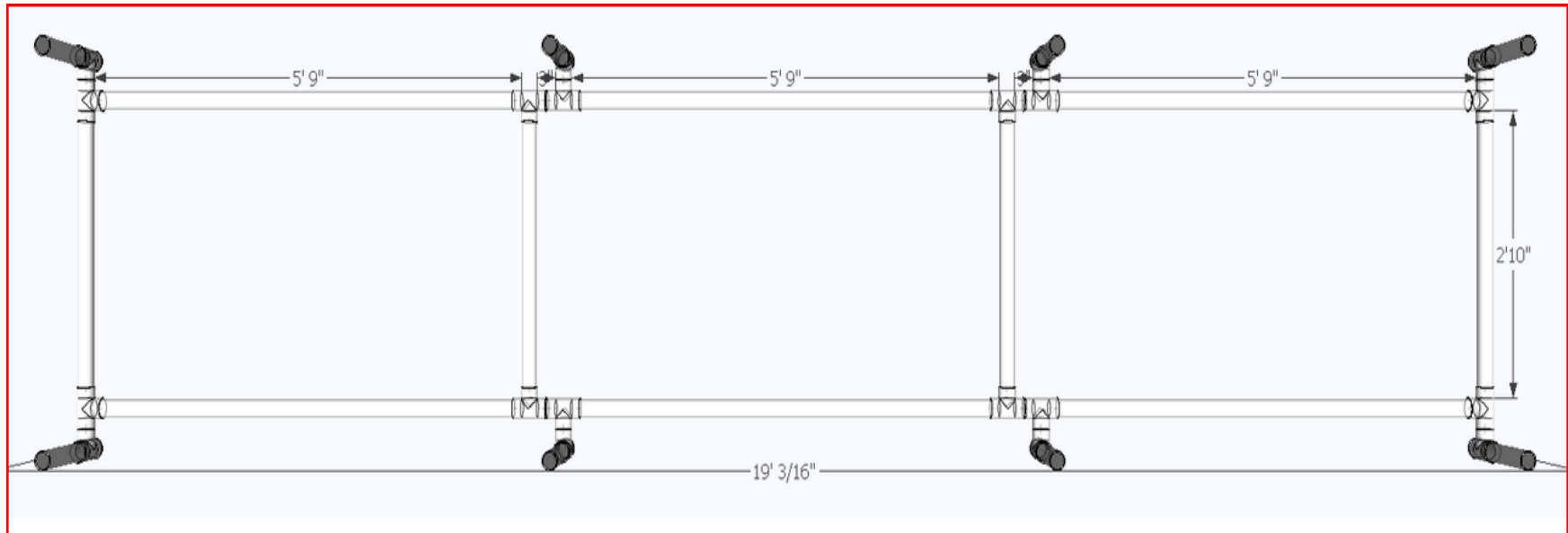
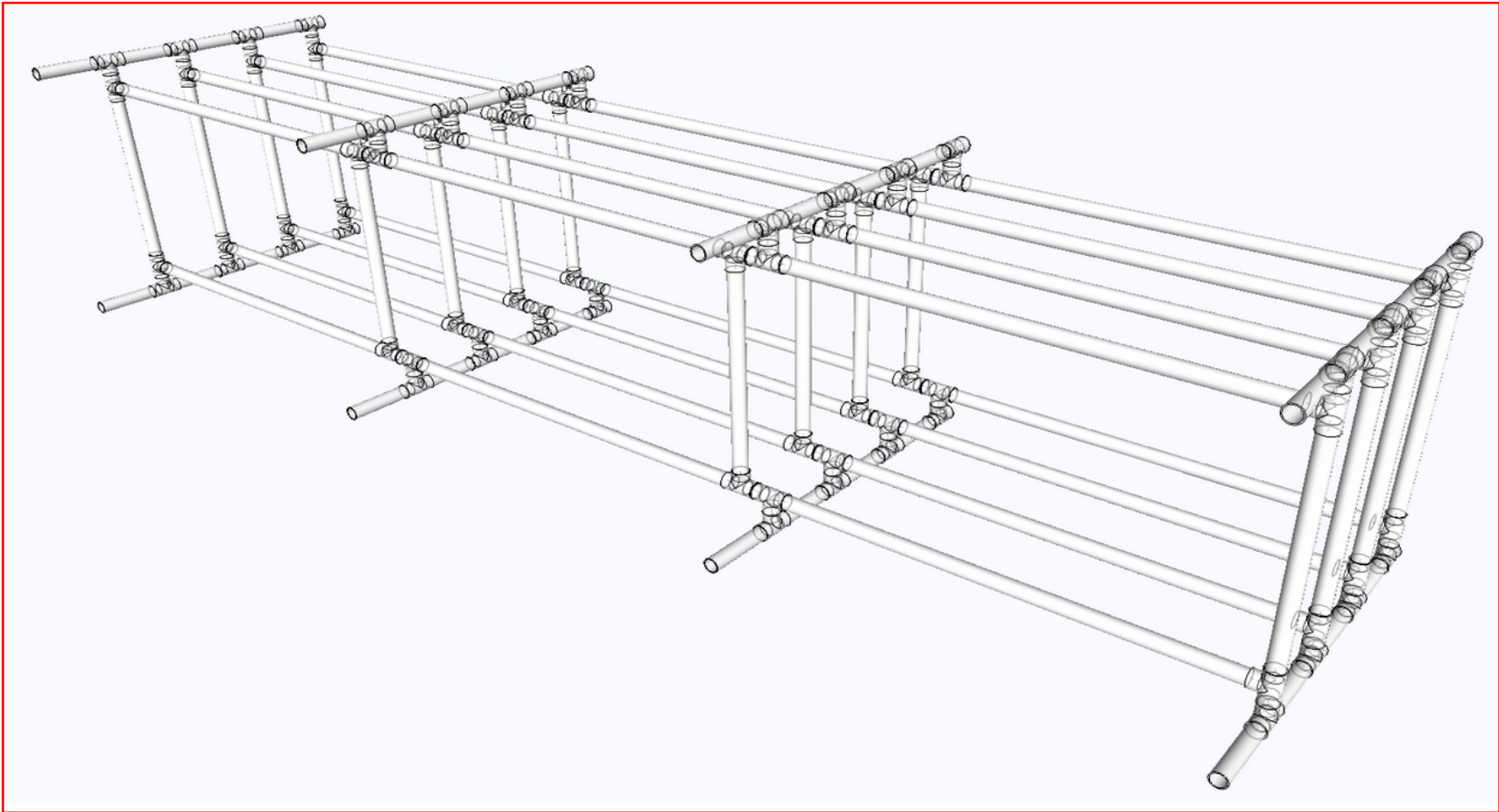


HyperLoop | Modular Flat Rack



Modular Rack allows for custom sizing | Each module supports one HyperLoop | one HyperLoop = 2 tons of heat exchanger



The highlighted areas are put together with a close nipple. If silt-in is an issue you can extend this nipple to compensate and lift Hyperloop above silt level.

